

PARD

Night Stalker Mini

Digital Night Vision Device



User Manual

Important Reminder

1 All PARD products are exclusively designed for civilian use and strictly prohibited for any military purposes.

2 All PARD products are not authorized for export to, including but not limited to Russia, Belarus, Palestine, Israel, Sudan, South Sudan, and other conflict zones.

Scan To Enjoy Privilege



Scan The QR Code To Join Our Membership

- 1 Extend warranty
- 2 Enjoy 1 on 1 expert service
- 3 Get the product experience officer opportunity

Contents

1. To users	01
2. Precautions	01
3. Package Contents	02
4. Specifications	03
5. Description & Key Features	06
6. Components	07
7. Installation	08
8. Operation Instruction	12
1) Shortcut Mode	12
2) Menu Mode	15
9. FCC Warning	24

TO USERS

Thank you for your continued support and for choosing PARD Night Stalker Mini night vision device. Please read this manual carefully before using the device for the first time. Please follow the instructions in this manual to avoid any damage caused by improper use and to ensure that your device operates properly.

After reading, please keep this manual in a safe place, for future reference. This manual provides step-by-step instructions on how to use your night vision device and is intended for your reference only.

PARD reserves the right to amend this manual at any time without prior notice to individual users. For the most up-to-date information, we recommend visiting PARD's official website. PARD reserves the final right of interpretation of this manual.

Precautions

- Please remove the insulating tape before using the battery for the first time. It is recommended to use a fully charged lithium-ion battery with a rated voltage of 3.7V.
- When not in use, always turn off the device. If you are not going to use the device for more than 10 days, please remove the battery and store it in a safe place.
- Use extreme caution and care when using or transporting the device. It is recommended that original packaging be used during transportation.
- To avoid eye damage, avoid staring directly into the infrared fill light from a close distance!
- When this product's IR infrared light is turned on, it will use a large amount of energy. Aiming at flammable objects up close is absolutely prohibited because doing so could start a fire. Please go into sleep mode or turn off the IR infrared fill light when not in use.
- Avoid scratches and damage to the lens caused by oil or chemical contamination. When not in use, keep the lens cap on.

- The device should be stored in a cool, dry, ventilated environment free of strong electromagnetic fields, with temperatures no lower than (-22°F/-30°C) and no higher than (133°F/55°C).
- Please charge the device within a temperature range of 0°C to 45°C (32°F to 113°F).
- Do not disassemble the device without authorization. If you encounter any problems, please contact our after-sales team and report them on our official website. Failure to do so will render the warranty service null and void.
- **Attention!** All PARD night-vision and thermal imaging devices require a license when exported to outside your country.

Package Contents

Icon	Contents	Quantity
1	Night Stalker Mini device	1
2	3.7V 18650 Rechargeable lithium-ion battery	1
3	Protective case	1
4	Type-C cable	1
5	Mount rings	2
6	Allen wrench	2
7	Lens cleaner	2
8	Rubber eye cup	1
9	User's manual	1
10	After sales card	1

Specifications

Model		Night Stalker Mini
Classification		Digital Night Vision Device
Sensor		
Resolution(pixel)		2560*1440
Pixel Size(μm)		2.9
Sensitivity(lux)		0.001
Frame Rate(Hz)		60/30(Color/Mono)
Image Engine		PARD VLEA
Optics		
Objective Lens(mm)		35
Optical Magnification(x)		3
Digital Zoom(x)		2
Field of view (Degrees)	Horizontal	5.7°
	Vertical	5.7°
	Diagonal	8°
Field of view (m@100m)	Horizontal	9.9
	Vertical	9.9
Focus Range		5m- ∞
Eye Relief(mm)		100
Diopter Adjustment(D)		-5~+3
Display		
Type		IPS
Resolution(pixel)		800*800
Reticle Style		6

Reticle Color	Red/White/Yellow/Green
Image Mode	Color/Black&White/Yellow/Green
Photo / Video	
Photo Resolution(pixel)	1440*1080
Photo Format	.JPG
Video Resolution(pixel)	1440*1080
Video Format	.mp4
Storage(GB)	Micro SD Card (128GB, Max)
Main Function	
LRF	No
Ballistic Calculator	No
PIP	Yes
Gyroscope	Yes
Recoil-activated Recording	Yes
Auto Recording	Yes
Loop Recording	Yes
Time Stamp	Yes
Record Audio	Yes
Beep Sound	Yes
Exposure Compensation	Yes
Connections	
USB Type-C	Yes
HDMI Output	Yes
WiFi	Yes
Supported Apps	PardVision2

External Power Supply(V)	
Battery Type	Lithium Ion 18650*1
Output Voltage(V)	3.7
Operating Time(h, max)	6
External Power Supply(V)	USB Type-C
Environmental Characteristic	
Protection Class	IP67
Operating Temp (°C/°F)	-30~55/-22~131
Recoil Resistance(J)	6000
Material	
Housing	Aluminium Alloy
Objective Lens	Glass
Measurement	
Product dimension(L x W x H, mm)	295*82*70
N.W/pcs(with battery, g)	450

Description & Key Features

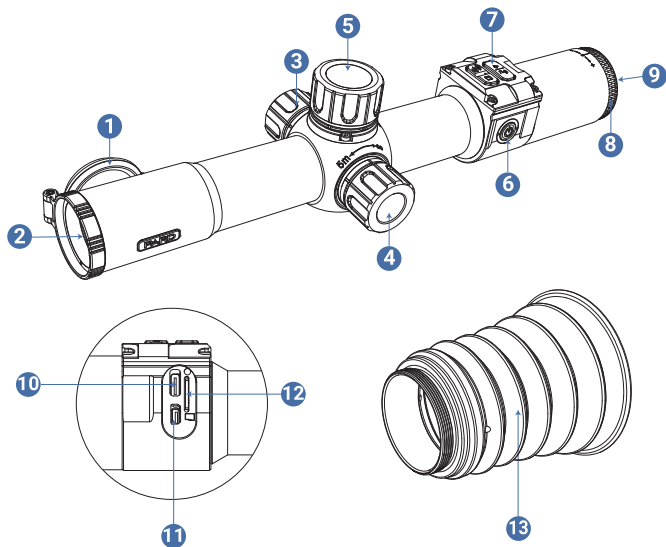
The Night Stalker Mini is a highly compact, tube-shaped night vision device that delivers exceptional performance. Equipped with a 2560x1440 CMOS sensor and a sensitivity of 0.001 lux, it provides enhanced clarity and detail in images and videos captured in low-light environments. The scope is designed with a 100mm eye relief, ensuring a safer hunting experience and accommodating traditional optics scope users' hunting habits.

Despite its advanced technology, the Night Stalker Mini features a tube-shaped design, making it intuitive and easy to use. Additionally, it serves as a multifunctional day and night scope, incorporating state-of-the-art technology.

Key Features

- Circular display
- Side focus
- 100mm Long eye-relief
- Recoil-activated recording
- One-shot zeroing
- WiFi Connection
- IP67 Waterproof
- 6000J Recoil resistance

Components



No.	Name	No.	Name
1	Lens cap	8	Diopter adjustment ring
2	Objective lens	9	Eyepiece lens
3	Battery cap	10	Type-C port
4	Focusing Knob	11	HDMI port
5	Control knob	12	Micro SD card slot
6	Power/Sleep button	13	Rubber eyepiece
7	Keypad		

Installation

1. Unboxing

Before using this device, please do the following:

- (1) Open the box and remove the device.
- (2) Check to ensure that the package contents listed above are all included in the box.
- (3) Check the device for any damage to the display, body, lens, buttons, etc.
- (4) Make sure that the objective lens and eyepiece are clean & functioning properly.

Note: If any accessories are missing or damaged, please contact our after sales service at once.

2. Battery installation and startup

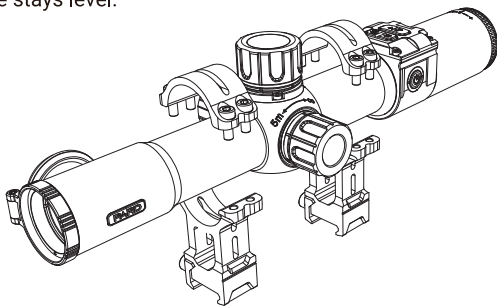
The battery installation steps are as follows:

- (1) Unscrew the battery cap counterclockwise and remove the battery.
- (2) Remove the insulating tape.
- (3) Insert the battery, ensuring the correct positioning of the battery's positive and negative terminals and tighten the battery cap.
- (4) To turn on the device, press and hold the power button for about 3 seconds. (When the power light illuminates and the PARD Logo appears on the screen, the device is ready for use.)

3. Mount installation

To ensure the best user experience, we highly recommend using our original mount included in the product packaging.

- (1) Take the night vision device, two scope rings and an Allen wrench out of the box.
- (2) Use the Allen wrench to unscrew the ring tops, and loosen the screws on the bottom half of the mount.
- (3) Attach the bottom half of your rings to the rail.
- (4) Tighten the screw on the rear mount to your rail to the desired position.
- (5) Place the scope in the scope rings. The scope should slide with minimum resistance.
- (6) Install the ring tops and tighten down the screws and make sure the scope stays level.



4. Diopter focusing

Diopter focusing is used to adjust users with different levels of corrected vision to clearly see the content displayed on the screen.

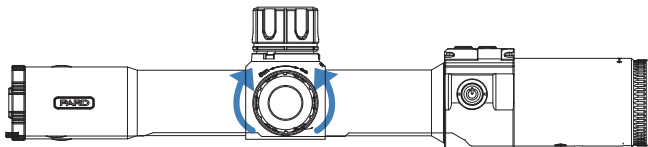
- (1) After powering the device, rotate the diopter focusing wheel so that you can see the screen clearly.

- (2) As long as you can clearly see the crosshair and text on the display, the diopter focusing setting has been completed.

Note: The image may not seem clear after diopter adjustment, as the objective lens still needs to be focused.

5. Objective lens focusing

- (1) Before you focus the objective lens, ensure that the diopter focusing has been completed.
- (2) Aim at the target and rotate the objective focusing knob until you can see the target image clearly.



Note: Focus range is 5m-∞. Rotate the objective focusing wheel clockwise to view distant targets and counterclockwise to view close targets.

6. Compass calibration

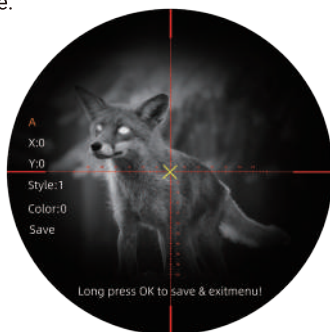
Users need to tilt and move the device in a figure 8 motion until the compass is calibrated.



7. Reticle Adjustment

- (1) Set the target at the zeroing distance so that the device can obtain a good image.
- (2) Select the zero setting submenu - please refer to the reticle adjustment option in the menu operation mode for specific steps.
- (3) Fire a 1st shot after focusing on the image, ensuring that you can see a clear point of impact on the screen after the shot has been taken.
- (4) Keep the scope in a stable position after shooting, and then press the [knob] to move the cursor to the "X" and "Y" items. Rotate the [knob] to freeze the screen and adjust the values of "X" and "Y" until the point of impact on the display screen is moved to the center point of the reticle.
- (5) To save and exit - set the "Save" item to "Y", after the setting is completed, press and hold [Key 1] to save and exit. The actual point of impact is moved to the center point of the reticle (the reticle is always at the center of the screen, which can maximize the use of the whole observation field).

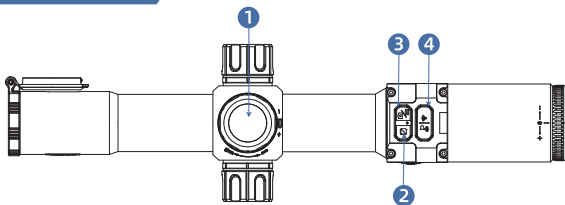
Note: The first item in the sub-menu represents the saved "zero" setting, there are five profiles A-E. The "X" and "Y" values represent the corresponding display positions of the crosshairs. "Style" represents the corresponding reticle type. "Color" represents the corresponding color of the reticle.



Operation Instruction



Shortcut Mode



	Rotate counterclockwise	Rotate clockwise	Double press
Knob (key 1)	Down/-/zoom out	up+/zoom in	-
	Single press	Press and hold	Double press
	Quick menu/ok	full menu	PIP
	Single press	Press and hold	Double press
Key 2	Switch black & white/ color mode	-	-
Key 3	Take a photo	Record video	Files
Key 4	back	WiFi	-

Explanation:

Key 1

1. Single Press:

① **Home screen mode:** press [Key 1] to enter the shortcut menu to access the following functions (range unit selection, reticle adjustment, default magnification, default color, display brightness, auto power off, auto recording).

② **Menu mode:** press [Key 1] means confirm.

2. Press and Hold

Home screen mode: press and hold [Key 1] to enter the full menu.

3. Double press:

Home screen mode: double press [Key 1] to turn on/off the picture-in-picture function.

4. Rotate counterclockwise:

① **Home screen mode:** turn the [knob] counterclockwise to zoom out.

② **Menu mode:** rotate the [knob] counterclockwise to scroll down between menu options. In the parameter setting interface under the sub menu, rotate [knob] counterclockwise to decrease the values.

5. Rotate clockwise:

① **Home screen mode:** rotate [knob] clockwise to zoom in.

② Rotate the [knob] clockwise in the menu option interface to switch menu options upward. In the parameter setting interface under the sub menu, rotate [knob] clockwise to increase the values.

Key 2

1. Press and hold:

Home screen mode: press and hold [Key 2] to switch between black and white/color mode.

Key 3

1. Single press:

Home screen mode: press [Key 3] to take a photo.

2. Press and hold:

Home screen mode: press [Key 3] to record a video. Press and hold [Key 3] again to save the video and exit.

3. Double press:

Home screen mode: double press [Key 3] to enable the playback function. After entering this interface, the video and picture files in the memory card will be displayed.

- ▶ Rotate the [knob] to switch between files.
- ▶ Press [Key 1] to play/pause the saved videos.
- ▶ When playing videos, rotate the [knob] to fast forward or rewind 2x/4x/8x times.
- ▶ Press [Key 4] to access the following settings:

1) Delete:	2) File Protection:	3) Slide Show:
• Delete Current	• Lock Current	• 2 seconds
• Delete All	• Unlock Current	• 5 seconds
	• Lock All	• 8 seconds
	• Unlock All	
- ▶ Press and hold the [Key 4] to return.

Key 4

1. Single press:

In menu mode, press [Key 4] to return to the previous page.

2. Press and hold:

Home screen mode: press and hold [Key 4] to turn on/off the WiFi function.

Please note: When the WiFi is turned on, you cannot access the menu. Press and hold the [Key 4] to turn off the WiFi and then enter the menu interface.

Menu Mode

Home screen mode: press [Key 1] to enter the shortcut menu mode and press and hold [Key 1] to enter the full menu setting mode to set various function options. (the shortcut key function is invalid at this time).



1. Picture in picture

The top center of the display can show a 2x magnified picture to improve aiming visibility, allowing you to see magnified target details without losing the field of view.

- Rotate the [knob] counterclockwise to move the cursor to the PIP setting option, and press [Key 1] to enter the sub-menu.
- Rotate the [knob] to move the cursor to select "PIP OFF" or "PIP ON".
- Press [Key 1] to save and return to the previous page.

2. Reticle adjustment

Reticle Adjustment refers to aligning the reticle with the point of impact at a zeroing distance, so that the position of the aiming point at this specific distance corresponds with the point of impact of the bullet.

- Rotate the [knob] counterclockwise to move the cursor to the reticle adjustment setting option. Press [Key 1] to enter the sub-menu interface.
- Press [Key 1] to switch sub-menu options. Rotate the [knob] to adjust the value of the corresponding item.
- ▶ The first letter represents the crosshair storage type (there are 5 profiles A-E).
- ▶ X represents the x axis of the cross line.
- ▶ Y represents the y axis of the cross line.
- ▶ Style corresponds to the crosshair type (6 options available).
- ▶ Color corresponds to the color of the cross line (red/white/yellow/green).
- ▶ Under the Save option, "Y" means to SAVE, and "N" means DO NOT SAVE.
- After selecting your preferred settings, press and hold [Key 1] to confirm, save and return to the home screen.

3. Gyroscope

This function measures the orientation of the device so that the yaw and pitch angles of the device can be displayed and calibrated.

- Rotate the [knob] counterclockwise to move the cursor to the gyroscope setting option, and press [Key 1] to enter the sub-menu.
- Rotate the [knob] to select "Display" or "Calibration", and then press [Key 1] to enter.
- "Display" indicates whether (or not) to display the yaw and pitch angle of the device on the home screen. Rotate the [knob] to select "Off" or "On", and press [Key 1] to save and return to the menu.
- "Calibrate" means to enter the calibration state. After selecting, please place the device on a horizontal plane surface, and press [Key 1] to perform automatic calibration. After calibration, the device will automatically return to the home screen.

4. Default magnification

After turning on the device, users can use this function to select the default magnification ratio.

- Rotate the [knob] counterclockwise to move the cursor to the default magnification setting option, and press [Key 1] to enter the sub-menu.
- Rotate the [knob] to select the default magnification you want, and then press [Key 1] to save and return to the previous page.

5. Default color

There are 4 built-in color modes, "Color"/ "Black & White"/"Yellow"/"Green". Users can choose their preferred color settings.

- Rotate the [knob] counterclockwise to move the cursor to default color setting option, and press [Key 1] to enter the sub-menu.
- Rotate the [knob] to select "Color"/ "Black & White"/"Yellow"/"Green", and then press [Key 1] to save and return to the previous page.

6. Display brightness

Users can choose their preferred brightness settings.

- Rotate the [knob] counterclockwise to move the cursor to brightness setting option, and press [Key 1] to enter the sub-menu.
- Rotate the [knob] to select from "Level 0" to "Level 6", and then press [Key 1] to save and return to the previous page.

7. Auto power off

The auto power off function allows the device to automatically power down after being idle. This setting will still be enabled after the next startup.

- Rotate the [knob] counterclockwise to move the cursor to select the auto power off setting, and press [Key 1] to enter the sub-menu.
- Rotate the [knob] to select "Off", "One minute", "Ten minutes" or "Thirty minutes" duration options. After selection, press [Key 1] to confirm and save, and return to the previous page.

Note: After selecting your preferred time duration, the device will sense the last point of operation before beginning the shutdown. Shutdown will not start immediately after imputing the time, but will start after the device has been idle then it automatically triggers the shutdown command.

8. Auto recording

After auto recording is on, device will start recording and continue to record after the next startup.

- Rotate the [knob] counterclockwise to move the cursor to the auto recording setting option and press [Key 1] to enter the sub-menu.
- Rotate the [knob] to select "Off" or "On" options, press [Key 1] to save and return to the previous page.

9. Loop recording

Users can customize the segment recording duration. This can be set up under loop recording. When the capacity of the memory card is full, the new recording will automatically overwrite the previous saved files. When you select "Off" the recording will stop when the memory card is full, and the oldest video file will not be overwritten.

- Rotate the [knob] counterclockwise to move the cursor to the loop recording setting option, and press [Key 1] to enter the sub-menu.
- Rotate the [knob] to move the cursor to select preferred loop time duration "Off", "Three minutes", "Five minutes" or "Ten minutes". After selection, press [Key 1] to save and return to the previous page.

10. Self-activated recording

When the device detects recoil, the whole shooting process will be recorded in 20 second intervals. The incremental 20-second video footage will be saved on the TF card.

- Rotate the [knob] counterclockwise to move the cursor to the self-activated recording setting, and press [Key 1] to enter the sub-menu.
- Rotate the [knob] to select "OFF", "ON" and "Impact Sensitivity" options.
- After selecting "Off" or "On", press [Key 1] to save and return to the previous page.
- After selecting "Impact Sensitivity", press [Key 1] to enter the sub-option menu of sensitivity level. Rotate the [knob] to select "Off", "Low", "Medium" or "High" mode. Press [Key 1] to save and return to the previous page.

11. Date stamp

Users can set whether to display the time stamp in the lower right corner of photos and videos taken.

- Rotate the [knob] counterclockwise to move the cursor to the date stamp setting option, and press [Key 1] to enter the sub-menu.
- Rotate the [knob] to move the cursor to select "Off" or "On" options. After selection, press [Key 1] to save and return to the previous page.

12. Record audio

User can set whether to record audio synchronously in the video.

- Rotate the [knob] counterclockwise to move the cursor to the recording audio setting option, press [Key 1] to enter the sub-menu.
- Rotate the [knob] to move the cursor to select "Off" or "On" option, after selection, press [Key 1] to save and return to the previous page.

13. Beep sound

Users can enable or disable the device key sound when an external HDMI display is connected.

- Rotate the [knob] counterclockwise to move the cursor to the beep sound setting option, press [Key 1] to enter the sub-menu.
- Rotate the [knob] to move the cursor to select "Off" or "On" option, after selection, press [Key 1] to save and return to the previous page.

14. WiFi

Through the WiFi connection, you can use your phone, PC or tablet as an external viewfinder enabling users to synchronously see the photos and videos on a larger screen.

- Rotate the [knob] counterclockwise to move the cursor to the WiFi setting option, and press [Key 1] to enter the sub-menu.
- Rotate the [knob] to move the cursor to select "On" or "Off" option. Select "Off", and return to the previous page. Select "On" to enable WiFi and return to the home screen.

Steps to connect to your mobile device:

- Download PardVision from the Apple App Store or the Google Play Store.
- Turn on the WiFi on your device and on your mobile device.
- Search the WiFi on your mobile device (the device WiFi network is a string of characters starting with PARD, which is a unique string of numbers). Please enter the password: 12345678 to connect.
- Enter the application to operate and use.

Note: After the WiFi is turned on, you cannot access the menu. Press and hold [Key 4] to disable the WiFi and then enter the menu interface.

15. Exposure

Users can choose their preferred exposure settings.

- Rotate the [knob] counterclockwise to move the cursor to the exposure setting and press [Key 1] to enter the sub-menu.
- Rotate the [knob] to select your preferred option. Press [Key 1] to confirm your selection.

16. Language

Users can choose their preferred language.

- Rotate the [knob] counterclockwise to move the cursor to the language setting option, press [OK] to enter the sub-menu.
- Rotate the [knob] to move the cursor to select the desired language. After selecting, press [Key 1] to switch the system language and return to the previous page.

17. Date/time

The user can set the system date and time of the device.

- Rotate the [knob] counterclockwise to move the cursor to the date/time setting option, press [Key 1] to enter the sub-menu.
- Rotate the [knob] to adjust the setting date and time value, press [Key 1] to switch options, press [Key 4] to save and return to the previous page.

18. ICON Display

- The users can set up show/hide ICON display of the device.

- To access the menu, press and hold [Knob], then rotate the [knob] counterclockwise to locate the ICON Display option. Press [Knob] to enter the sub-menu. Rotate the [Knob] to select options such as On, 30 Seconds, 1Min, 3Min, 5Min, 10Min, and press [knob] to confirm. Selecting On ensures constant visibility of icons on the home screen, while choosing 30 Seconds makes the icons disappear after 30 seconds, and so on. Press any key icon to resume display.

19. Format

If users want to reformat the TF Card, it will delete all the data on the TF card permanently. Data cannot be recovered after reformatting.

Please operate with caution!

- Rotate the [knob] counterclockwise to move the cursor to the format setting option, and press [Key 1] to enter the sub-menu.
- Rotate the [knob] to move the cursor to select "Cancel" or "OK" option. After selection, press [Key 1] to confirm the relevant operation and return to the previous page.

20. Default settings

If users decide to reset the device, it will restore the device to the device's original operating system and delete all of the user data and all personalized settings in the device will be restored to the factory default settings. **Please operate with caution!**

- Rotate the [knob] counterclockwise to move the cursor to restore default setting option, press [Key 1] to enter the sub-menu.
- Rotate the [knob] to move the cursor to select "Cancel" or "OK" option. After selection, press [Key 1] to confirm the relevant operation and return to the previous page.

21. Version

This function displays the device's version.

- Rotate the [knob] counterclockwise to move the cursor to the version option, press [Key 1] to enter the sub-menu to view.
- Press [Key 1] again to exit and return to the previous page.

FCC Warning

This device complies with part 15 of the FCC Rules. Operation is subject to the following two conditions:

(1) This device may not cause harmful interference, and (2) this device must accept any interference received, including interference that may cause undesired operation.

Note: This equipment has been tested and found to comply with the limits for a Class B digital device, pursuant to part 15 of the FCC Rules. These limits are designed to provide reasonable protection against harmful interference in a residential installation. This equipment generates, uses and can radiate radio frequency energy and, if not installed and used in accordance with the instructions, may cause harmful interference to radio communications. However, there is no guarantee that interference will not occur in a particular installation. If this equipment does cause harmful interference to radio or television reception, which can be determined by turning the equipment off and on, the user is encouraged to try to correct the interference by one or more of the following measures:

- Reorient or relocate the receiving antenna.
- Increase the separation between the equipment and receiver.
- Connect the equipment into an outlet on a circuit different from that to which the receiver is connected.
- Consult the dealer or an experienced radio/TV technician for help.

Note: The Grantee is not responsible for any changes or modifications not expressly approved by the party responsible for compliance. Such modifications could void the user's authority to operate the equipment. The device has been evaluated to meet general RF exposure requirements. This equipment complies with FCC's RF radiation exposure limits set forth for an uncontrolled environment. This device and its antenna(s) must not be co-located or in conjunction with any other antenna or transmitter.

Follow Us



@pardusaofficial



@pard_usa



@PARDusa



Please Search and follow our channel for more information

Website

www.pard.com

Business Cooperation

sales.support@optimaxtechnologyllc.com

Service Center

support@pard-tech.com

PARD

Tell: +1 (800) 986 4370

Add: 3500 Lakeside Court, Suite 101, Rm 122,
Reno, NV 89509

CE  FC RoHS